

Exceptionally Rugged

**Designed for Harsh
Outdoor Lighting
Applications**

Eco-friendly

**Industry-Leading
Design**

Low Maintenance

Low Voltage

61 Month Warranty



Description

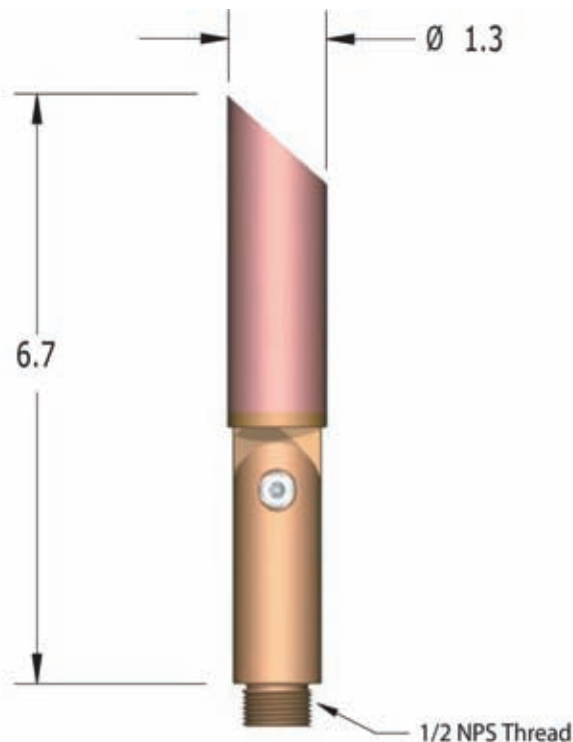
Patent pending The X-TREME LED lamp provides superior thermal cooling of LED light source.

Lamp enables tool-free replacement upgrade of LED light source in a rugged package designed for harsh outdoor environments.

LED technology delivers reliable low energy and low maintenance lighting.

Engineered specifically for today's LED technology, the design of the X-TREME provides critical thermal transfer without the need for external cooling features.

Other features include anti-wicking power lead, tool-free optic interchange and service upgrade capability.



X-TREME COMPACT LED SPOTLIGHT

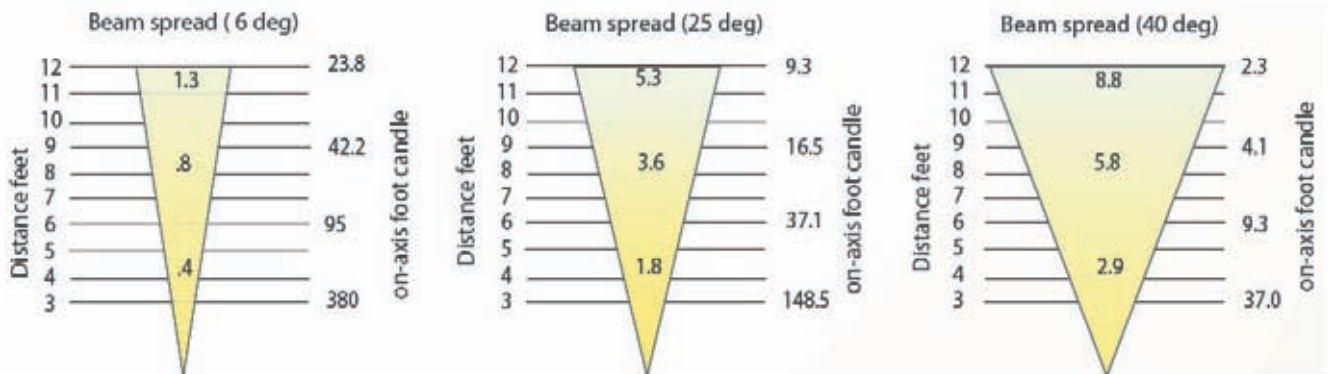
Specifications

Light Source	High-brightness LED, C-Socket Lamp Technology
LED Life (L70)	50,000 hours average*
Input Voltage	7 to 15 VAC/VDC
Power Consumption	3.7 Watts
Color Temperature	3000k to 4000k
CRI	80 Typical
Optic	Interchangeable Lens
Material	Solid Brass billet, Shroud heavy wall copper tubing
Fasteners	316L Stainless steel hardware
Standard Mounting	PVC Post and ABS Cap
Operating Temperature	-31F to 122F (-35C to 50C)
Certification	UL1838

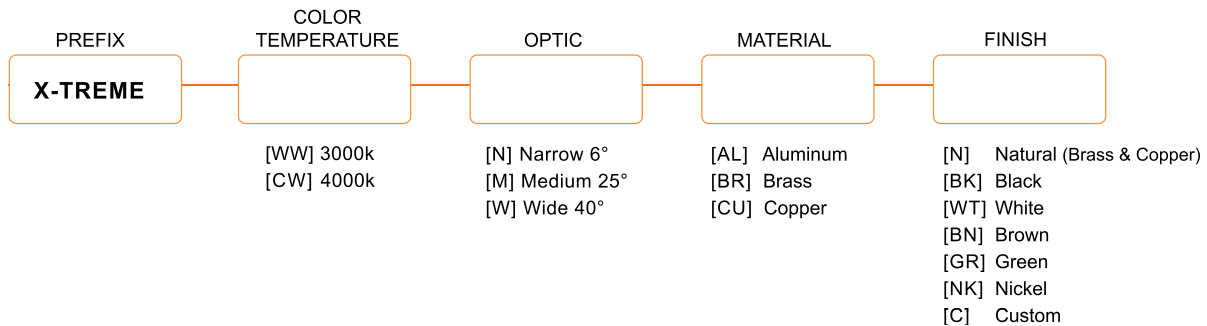


*LED life is defined as the time to 70% lumen maintenance (L70)

Brightness



Ordering Guide



THE LED COMPANY

160 McCormick Ave, Costa Mesa, CA 92626

Phone: 714.862.2920
 Fax: 714.492.1008
 Email: sales@ledcohome.com
 Web: www.ledcohome.com

Manufactured in the USA